

## Technical data sheet

### Signaling column element

Part no.: 50144838  
A7-V1-DS-M7-T

#### Contents

- Technical data
- Dimensioned drawings
- Notes
- Accessories



Figure can vary



## Technical data

### Basic data

Series	A7
Suitable for	Signaling column elements of the A7 – Advanced Series
Type of signaling	Optical

### Electrical data

Life expectancy	> 100,000 h
<b>Performance data</b>	
Supply voltage $U_B$	24 V, DC, 10 %
Current consumption, max.	70 mA

### Connection

Notes	Protected against accidental interchanges: Actuation of the colors is performed via PINS, thus, the calotte position can be freely selected (see operating instructions).
-------	---

### Mechanical data

Design	Cylindrical
Dimension ( $\varnothing$ x L)	70 mm x 50 mm
Housing material	Plastic
Net weight	109 g
Type of fastening	Bayonet system
Type of illuminant	LED/24V
Display of the lens colors	7 colors can be selected
Signal image	Continuous or flashing light
Angle of radiation	360°

### Environmental data

Ambient temperature, operation	-10 ... 60 °C
--------------------------------	---------------

### Certifications

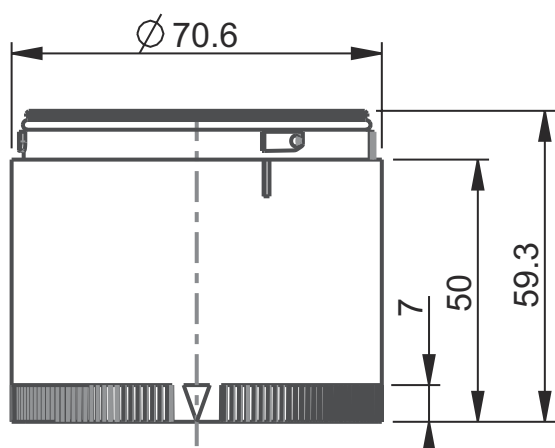
Degree of protection	IP 66
Certifications	CE CSA

### Classification

Customs tariff number	85318070
eCl@ss 8.0	27371220
eCl@ss 9.0	27371220
eCl@ss 10.0	27371220
eCl@ss 11.0	27371220
ETIM 5.0	EC000232
ETIM 6.0	EC000232

## Dimensioned drawings

All dimensions in millimeters



# Notes

<b>Observe intended use!</b>	
	<ul style="list-style-type: none"> <li>⌘ This product is not a safety sensor and is not intended as personnel protection.</li> <li>⌘ The product may only be put into operation by competent persons.</li> <li>⌘ Only use the product in accordance with its intended use.</li> </ul>

## Accessories

### General

	Part no.	Designation	Article	Description
	50135462	A7-V1-BZ1-M	Signaling column element	Signaling: Acoustic Current consumption, max.: 70 mA Design: Cylindrical Diameter: 70 mm Fastening: Bayonet system Operational controls: DIP switch, 225° potentiometer Ambient temperature: -10 ... 60 °C Degree of protection: IP 66 Tone type: Continuous or pulse tone Sound pressure: 100 dB Number of tones: 8 Piece(s)
	50138151	A7-V1-BZ2-S	Signaling column element	Signaling: Acoustic Current consumption, max.: 20 mA Design: Cylindrical Diameter: 70 mm Fastening: Bayonet system Operational controls: 225° potentiometer Ambient temperature: -10 ... 60 °C Degree of protection: IP 66 Tone type: Continuous tone Sound pressure: 105 dB Number of tones: 1 Piece(s)
	50138366	A7-V1-BZ3-S	Signaling column element	Signaling: Acoustic Current consumption, max.: 30 mA Design: Cylindrical Diameter: 70 mm Fastening: Bayonet system Operational controls: 225° potentiometer Ambient temperature: -10 ... 60 °C Degree of protection: IP 66 Tone type: Pulse tone Sound pressure: 105 dB Number of tones: 1 Piece(s)

Note	
	⌘ A list with all available accessories can be found on the Leuze website in the Download tab of the article detailed page.